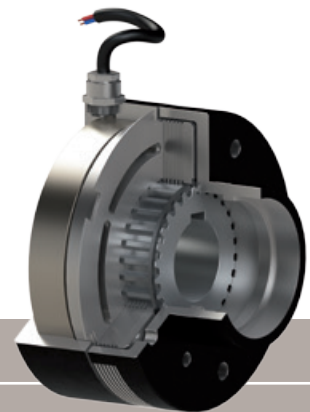
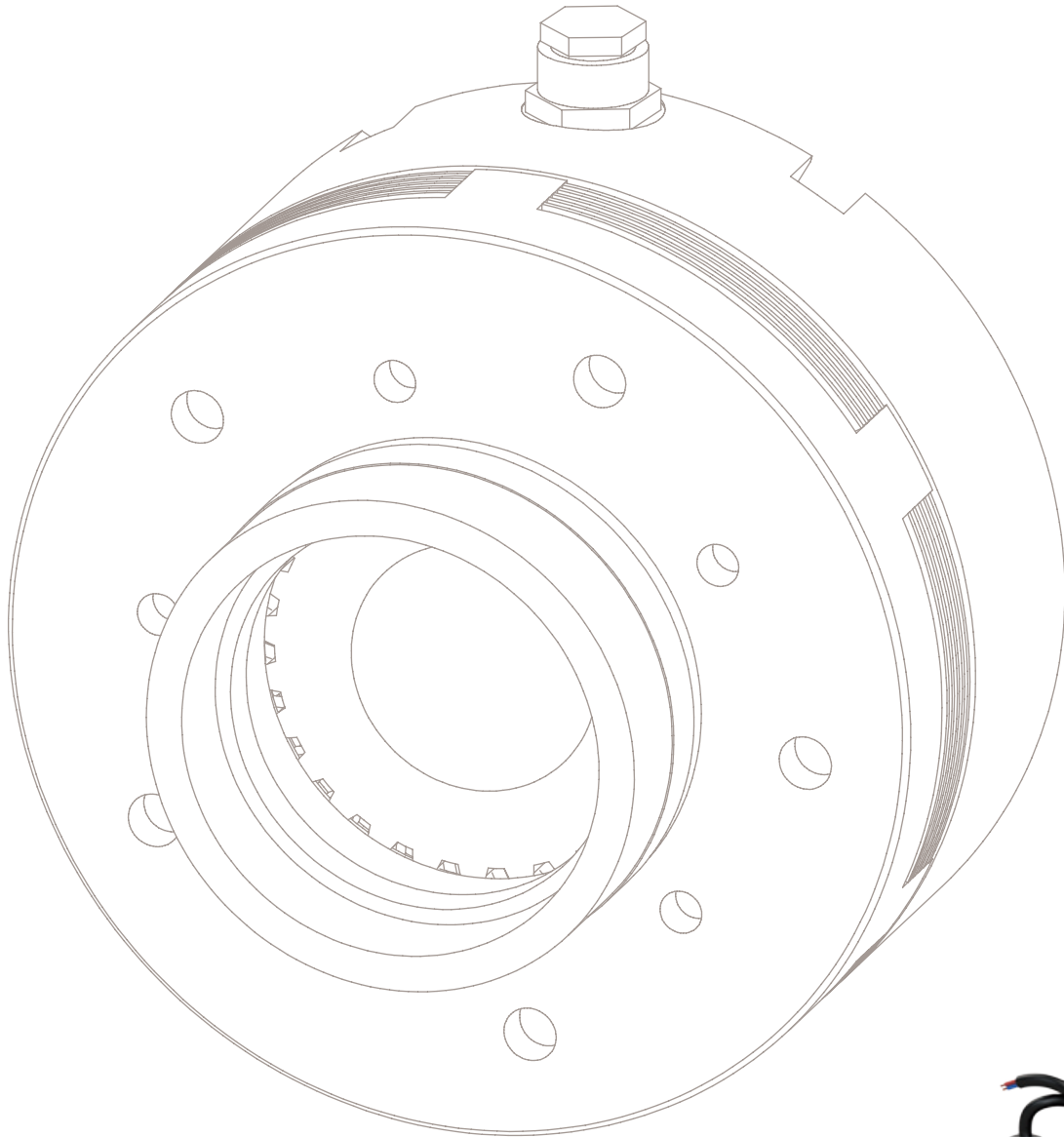




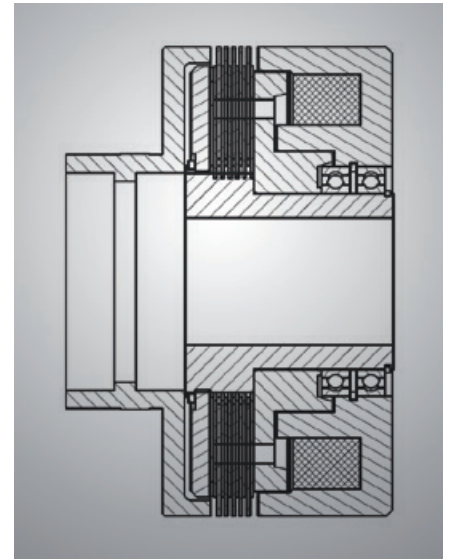
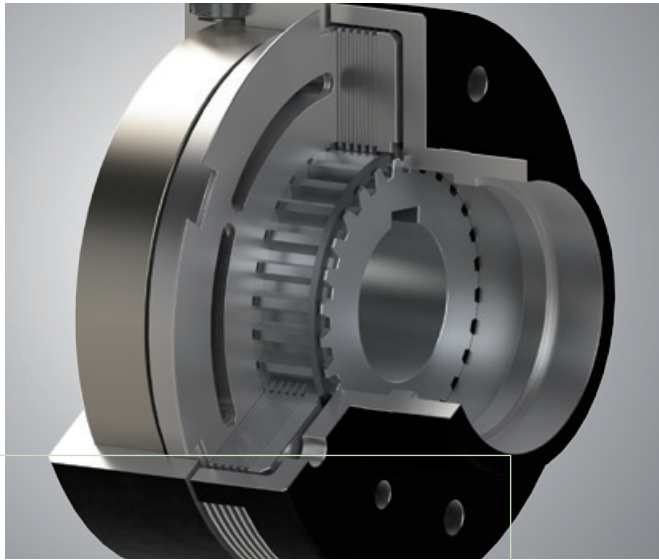
Maschinentechnik



Controlled dynamics

Electromagnetic multiple disc clutches

# Experts in our field since 1982.



## Electromagnetic multiple disc clutches

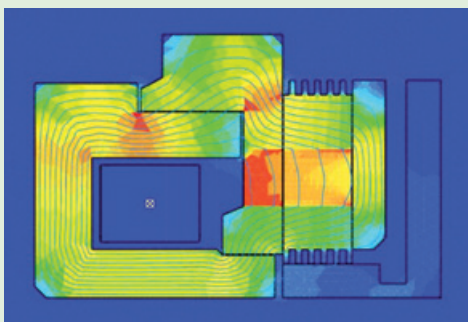
On the back of its many years of experience as a supplier of reliable system components in the area of drive engineering, Amsbeck Maschinentechnik GmbH has extended its product range to include EMK-type electrically engageable multiple disc clutches.

Developed for a wide range of applications, they serve as an engageable or disengageable connection between driving and working units such as ancillary units or main drives. They are actuated by means of electric power provided within the system, in the voltage range of up to 24V DC. Higher voltages are possible on request. The design and optimisation of the magnetic circuits is FEM-based. This means that the magnetic properties of the materials used can be taken into consideration in the design.

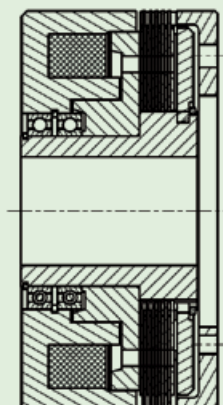
Torques within the range of 1 to 500 Nm can be safely transmitted with these executions. In these clutches, friction pairings designed for wet running ensure a safe power transmission at all times during operation.

The clutch discs require oil cooling in order to function reliably. This can be implemented by way of an oil sump or a circulating oil lubrication. The multiple disc clutches open by themselves due to their design and stand out for their very small drag moments when not engaged. The torque-transmitting components of the multiple disc clutch (e.g. the housing and the hub) are made of high-strength and tempered materials. Various executions are available to you for connecting or integrating into your units. Special executions that have increased functionality thanks to integrated additional functions are possible on request.

**Tell us what you require – and we will provide the solution swiftly and competently.**



Magnetic circuit calculation





Mobile applications

## Selected applications

Our various fields of application

- Mobile applications
- Manufacturing plants
- Agricultural and forestry machinery
- Machine construction
- Pumps and compressors
- Construction machinery



Manufacturing plants



Agricultural machinery



Machine construction

Further product information available



Find out also about our:

**Centrifugal clutches | Centrifugal brakes | Gearboxes | Hydraulic multiple disc clutches**

**Amsbeck Maschinenteknik GmbH**  
Boschweg 15 | 48351 Everswinkel

Phone +49 (0)2582 66812-0  
Fax +49 (0)2582 66812-101

info@amsbeck-mt.de  
www.amsbeck-mt.de

**We are certified in accordance with:**  
Testing standard ISO 9001:2008  
Certificate reg. no.: 09 100 50 59