

Inquiry form centrifugal brakes

Contact information

Company
Address
Website
VAT ID

Person of contact
Phone
Fax
E-Mail

Commercial information

Quantities to be offered

Project Serial requirements Repair/Spare parts

Technical information

Application

Max. operating speed of the application [rpm]

Brake frequency

Operating environment (corrosion protection, off shore)

Oil or other lubricants?

Braking time [s]

Ambient temperatures [°C]

Cooling time between braking processes [min]

Engine (if used in the application)

Engine (manufacturer/type)

Idle speed [rpm]

Engine power: Ps KW

Max. Torque [Nm at rpm]

Brake selection

Preferred engagement speed

Braking torque at max. braking speed [Nm]

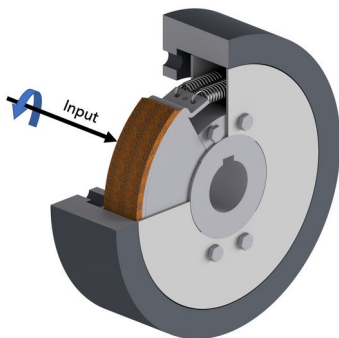
Max. braking speed [rpm]

Brake housing

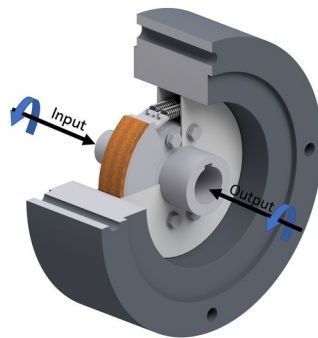
Supply by Amsbeck

Own production

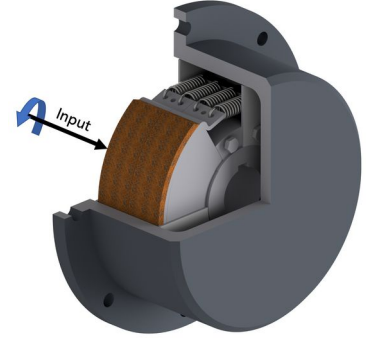
Flanged housing



Intermediate housing



Drum housing



Max. mounting dimensions

∅

Wide

Inquiry form centrifugal brakes

Brake connection by

- | | |
|--|---|
| <input type="checkbox"/> Cyl. shaft | Diameter
Groove wide
Length |
| <input type="checkbox"/> Con. shaft | Diameter
Cone ratio
Cone angle
Cone length |
| <input type="checkbox"/> Flange | Standard
Subcircle-Ø
Number of boreholes
Bore-Ø / Thread
Centring |

Housing connection

- | | |
|---|---|
| <input type="checkbox"/> Flange | Standard
Subcircle-Ø
Number of boreholes
Bore-Ø / Thread
Centring |
| Output through (only for intermediate housing) | |
| <input type="checkbox"/> Cyl. shaft | Diameter
Groove wide
Length |
| <input type="checkbox"/> Con. Shaft | Diameter
Cone ratio
Cone angle
Cone length |

Are there any further information that can help us select/design the required brake?

How did you first become aware of Amsbeck Maschinentchnik ?

Other

LinkedIn Website Advertisement

Please send this form, data sheets, drawings and 3D models to Sales@amsbeck-mt.de